



Servo Driven Auger Filler

Model NAF 1000

For Powders, Granulars, and Flakes



Nalbach Engineering's Auger Fillers improve fill accuracy and dramatically reduce maintenance and downtime

The NAF 1000 provides the latest in filling technology with a computer controlled servo motor drive and operator touch screen interface. The computer controlled brushless direct drive servo motor system provides superior fill accuracy and reliability. The user friendly menu allows the operator to easily access product memory for fast set-up and accurate control of filling parameters.

Downtime due to mechanical failure is virtually eliminated due to the fact that Nalbach has done away with most moving parts typically found on competitive equipment. Broken clutches, brakes, encoders, drive belts and pulleys are no longer a concern with the NAF 1000. Fill accuracy is $\pm 0.25\%$ due to the precision of the servo motor. The servo drive also provides acceleration and deceleration control which result in fill speeds of up to 120 per minute.

Benefits

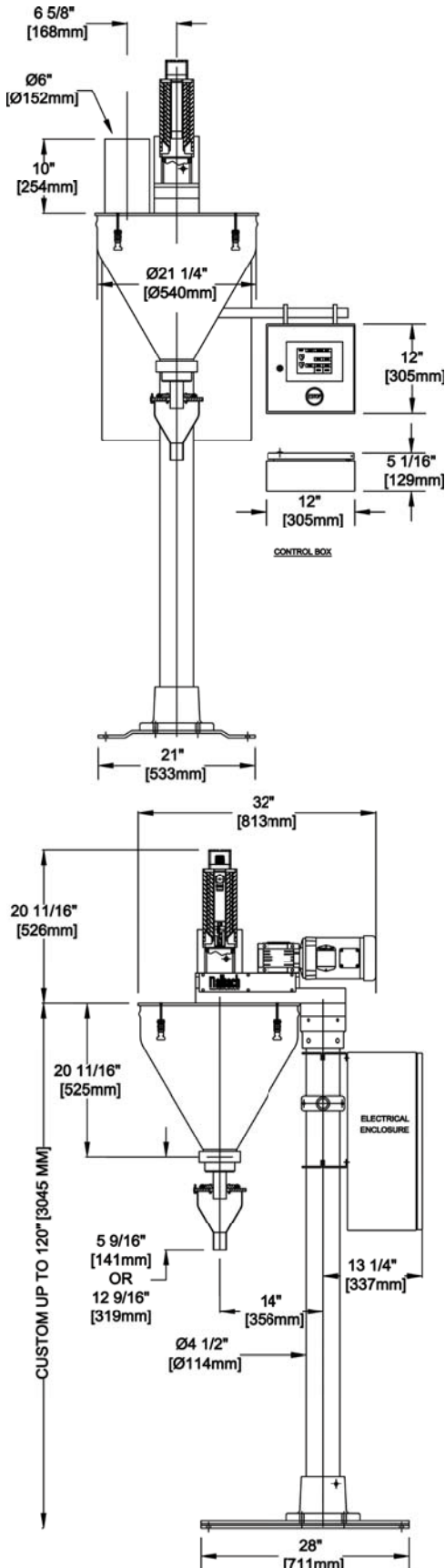
- Readily adaptable to most form, fill and seal machines.
- Fewer moving parts means less maintenance and less downtime.
- Touch screen with intuitive icon-based graphical user interface for greater accuracy and control.
- Servo motor shaft resolution of 1/5000 revolution delivers superior fill accuracy.
- Self centering hopper and funnel results in faster changeovers, and cleaning times.
- Empty hopper function for quick product change-over.
- Rugged construction, stainless steel contact parts and aluminum structural parts result in exceptional durability.
- Smart agitator technology to extend agitator life.
- The product memory is capable of storing filling parameters for over 60 products with one button recall.
- Weight setup software utility sets up fill parameters automatically.

About Nalbach Engineering Company

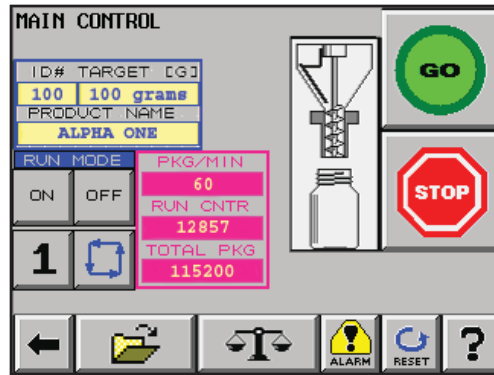
Founded in 1945, our Company has earned its dominant reputation for quality and performance in the design and manufacture of a complete line of powder filling equipment and plastic bottle unscramblers. In addition, we offer aerosol fillers, turnkey packaging lines, and system integration services. A member of PMMI since 1958, Nalbach Engineering has developed equipment for a widely diverse client roster of Blue Chip companies and has installed systems in 45 countries around the globe.



Dimensions



Specifications subject to change without notice.



Touch screen user interface

The user friendly graphic menus allow the operator to easily access product memory for fast set-up and accurate control of all filling operations.

Software Features:

- Adjustable machine parameters
- Adjustable agitator speed
- Adjustable auger drive speed
- Adjustable acceleration and deceleration
- Auger jog
- Hopper empty
- Recycle timers
- Weight setup software utility sets up fill parameters automatically

Specifications

Electric and Controls

Display:

User-friendly touch screen

Electrical:

System voltage and frequency configured to meet customer specifications

Electrical Controls:

PLC - digital solid state

Enclosure:

NEMA 12 or optional NEMA 4

Filling Head

Auger Drive:

Brushless servo motor, direct drive rated for 3 HP (2.2 KW)

Auger Speed:

50 to 1,400 RPM

Agitator Motor:

Variable speed motor

Agitator Drive:

Direct gear belt drive

Construction:

Stainless steel and other FDA approved product contact parts

Speed and Accuracy

Filling Speed:

Up to 120 fills per minute

Filling Accuracy:

Up to $\pm 0.25\%$ (.0025)

Optional Accessories

Level Control:

Signals infeed and controls product level

Conveyors:

Complete range of infeed and discharge conveyor types available

Vibration:

Air, motor, or magnetic bottom, side or step product settling systems

Checkweighers:

Checkweighers available for use with Active weight control system

PLC:

Various commercial PLC controllers are available

Nalbach Engineering Company, Inc.

621 East Plainfield Road, Countryside, IL 60525 U.S.A.

Phone: 708/579-9100 • Fax: 708/579-0122

www.nalbach.com

© 2009 Nalbach Engineering Company, Inc.



NAF 1000-D