



## Rotary Indexing Auger Filler

### ī - Series

For moderate speed, high accuracy and low maintenance filling of powders, granulars, and flakes



Container Handling System

*Nalbach Engineering's ī - Series rotary indexing auger filler improves fill accuracy and dramatically reduces maintenance and downtime*

The ī - Series has been specifically designed to provide high fill accuracy and a minimum of maintenance for moderate speed applications up to 100 containers per minute. The ī - Series features a gear base with servo drive motor, a direct infeed indexing starwheel turret, Nalbach's servo driven auger fillers with touch screen control, Nalbach's advanced seal module and Nalbach's product settling systems.

### Benefits

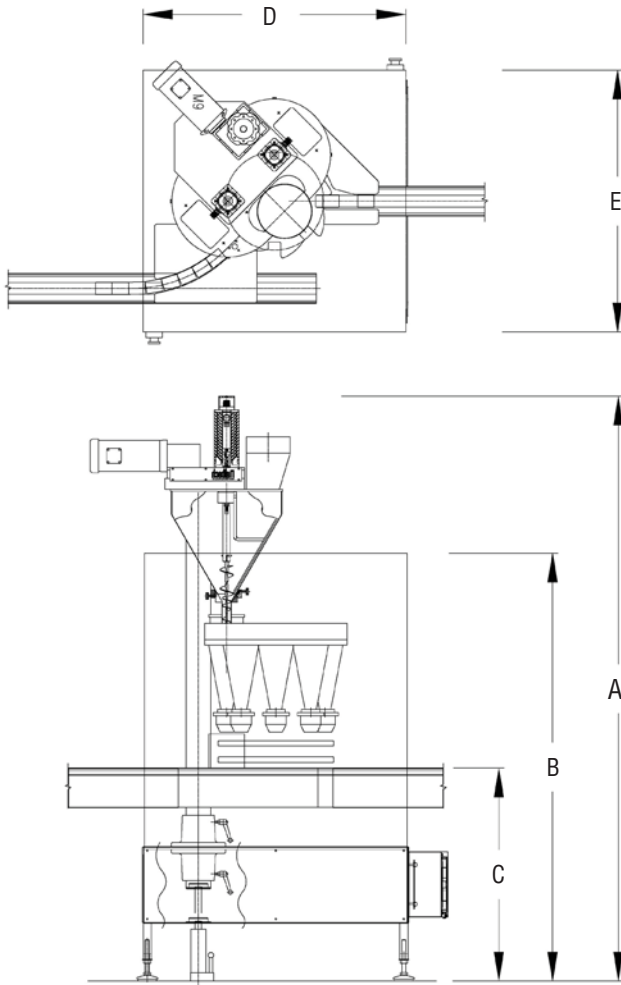
- Gear driven base virtually eliminates backlash and significantly reduces maintenance associated with chain driven bases.
- Direct infeed indexing starwheel turret provides an economic and reliable container control system.
- Advanced Seal Module provides faster fills, higher throughput, cleaner operation, improved fill accuracy and improved product settling.
- Nalbach's product settling systems are air or motor driven; bottom, side or step product settling systems, tailored to meet the unique needs of each customer's container/product combination.
- Servo Driven Auger Filler with PLC controlled, brushless, direct drive, servo motor system that provides superior fill accuracy and substantially improves reliability through the elimination of most mechanical parts such as clutch/brakes, encoders, drive belts, and pulleys which are used in most competitive products.
- Touch Screen with intuitive, icon-based graphical user interface for fast, accurate and easy system control.
- Filling accuracy of  $\pm 0.25\%$  with digital servo motor shaft resolution of 1/5000 per revolution. This precise control means the auger is consistent, each time, every time.
- Self centering tooling significantly improves changeover and cleaning times as well as providing more consistent product flow. The self centered tooling is always properly aligned with the funnel and requires no adjustments.
- Active Weight Control System interfaces with an optional checkweigher to make on-the-fly adjustments to compensate for variations in product density to insure accurate fills and minimize product "give-away".

### About Nalbach Engineering Company

Founded in 1945, our Company has earned its dominant reputation for quality and performance in the design and manufacture of a complete line of powder filling equipment and plastic bottle unscramblers. In addition, we offer aerosol fillers, turnkey packaging lines, and system integration services. A member of PMMI since 1958, Nalbach Engineering has developed equipment for a widely diverse client roster of Blue Chip companies and has installed systems in 45 countries around the globe.

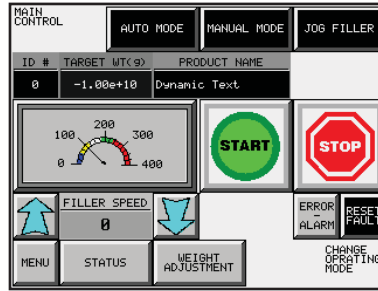


## Dimensions



| Base Size             |            |            |
|-----------------------|------------|------------|
| Dimension Inches (mm) | 18         | 24         |
| A                     | 107 (2718) | 107 (2718) |
| B                     | 78 (1981)  | 78 (1981)  |
| C                     | 39 ( 991)  | 39 ( 991)  |
| D                     | 48 (1219)  | 54 (1372)  |
| E                     | 48 (1219)  | 54 (1372)  |

Specifications subject to change without notice.



*Touch screen user interface*

The user friendly graphic menus allow the operator to easily access product memory for fast set-up and accurate control of all filling operations.

### Software Features:

- Adjustable Machine Parameters
- Adjustable Agitator Speed
- Adjustable Auger Drive Speed
- Adjustable Acceleration and Deceleration
- Auger Jog
- Hopper Empty
- Recycle Timers
- Weight setup software utility sets up fill parameters automatically

## Specifications

### Electric and Controls

#### Display:

User-friendly touch screen

#### Electrical:

System voltage and frequency configured to meet customer specifications

#### Electrical Controls:

PLC - Digital Solid State

#### Enclosure:

NEMA 12 or Optional NEMA 4

### Filling Head

#### Auger Drive:

Brushless Servo Motor, Direct Drive  
Rated for 3 HP (2.2 KW)

#### Auger Speed:

50 to 1,400 RPM

#### Agitator Motor:

Variable Speed Motor

#### Agitator Drive:

Direct Gear Belt Drive

#### Construction:

Stainless Steel and other FDA approved  
Product Contact Parts

### Speed and Accuracy

#### Filling Speed:

Up to 100 Fills Per Minute

#### Filling Accuracy:

Up to  $\pm 0.25\%$  (.0025)

### Optional Accessories

#### Level Control:

Signals Infeed and Controls Product Level

#### Conveyors:

Complete range of infeed and discharge  
conveyor types available

#### Vibration:

Air, Motor, or Magnetic bottom, side or step  
product settling systems

#### Checkweighers:

Checkweighers available for use with Active  
Weight Control System

#### PLC:

Various Commercial PLC Controllers are  
available

**Nalbach Engineering Company, Inc.**

621 East Plainfield Road, Countryside, IL 60525 U.S.A.

Phone: 708/579-9100 • Fax: 708/579-0122

www.nalbach.com

© 2009 Nalbach Engineering Company, Inc.

